

Polymaster



→ polymaster.com.au

Right Tank
For You

2022

SLIMLINE TANKS
ROUND TANKS
UNDERGROUND TANKS
SEPTIC TANKS
RETENTION & DETENTION TANKS

Why Choose Polymaster?



PRODUCT CERTIFICATION

to the Rainwater tank Standard AS/NZS 4766:2006 for peace of mind. Licence no. BMP657671 & BMP650824



UV+ DOUBLE STRENGTH

Our exclusive UV+ double strength resin gives the best protection against Australia's harsh sun



FOOD GRADE

Our tanks are made from food-grade polyethylene and certified to AS/NZS4020, the Australian Standard for drinking water



QUALITY ASSURANCE

Polymaster only produces quality products and service, certifying us for the international standard for quality management ISO9001



EXTRA THICK WALLS

Each Polymaster tank undergoes ultrasonic thickness testing and impact testing to ensure material is correct thickness



FITTINGS STANDARD

Rainwater Tanks come standard with fittings. Ask us what fittings come with the tank model you are interested in



ONE PIECE TANK CONSTRUCTION

With no joins or seams, our new generation roof design eliminates the need for an internal support pole



BPA FREE

For your peace of mind



MADE IN AUSTRALIA

Family-owned and operated here in Australia since 1994



3D TANK BUILDER

Customise your water tank to suit your style and needs with our easy to use 3D Tank Builder.

01

Why buy a tank?

Reduce your water bill by catching rainwater in a Polymaster tank & using it for many applications



02

Choose your tank

Follow our easy steps to find the right tank for you

Slimline Tanks 600 – 5000ltr

- Suburban homes
- Ideal for tight spaces
- Watering the garden/lawn
- Flushing the toilet

Small Round Water Tanks 200 – 7000ltr

- Suit small urban properties
- Watering the garden/lawn
- Flushing the toilet

Large Round Water Tanks 9000 – 50,000ltr

- Suit large rural properties
- Watering the garden/lawn
- Flushing the toilet
- Washing clothes
- Bathing & showering

Underground Tanks 3300 & 5000ltr

- Ideal when you don't have the room above ground
- You don't want to see the tank
- Watering the garden/lawn
- Flushing the toilet

03

Where to buy?

Polymaster tanks are available at hardware & plumbing stores, and rural merchandise stores. Visit polymaster.com.au or call 1800 062 064 to find your nearest store.

Slimline Tanks

The Slimline range provides slim-profile water storage options up to 5000L



Features	Slimline Range
Available colours	22 Colorbond® colours
Warranty	7 year warranty
Sizes available	600, 1050, 2000, 3000 & 5000 ltrs
Fittings included	
- 90mm overflow	✓
- 25mm brass outlet	✓
- Mosquito proof mesh screen	✓
Fits through a doorway	600, 1050, 2000 ltr models

→ See specs page 12

PUMP OPTIONS * Manufacturer's warranty on pumps

1 Submersible pump system
→ See page 12



2 Packaged pump unit
→ See page 9



3 40lpm garden pump systems
→ See page 12



Tank & Pump Package - 2020L

Achieve a 6 star energy rating with our tank & pump combination on new home builds



Easy to install in 10 minutes

Connects directly to house

2 PUMP OPTIONS

- Single Storey
- Multi Storey

No need to bolt separate pump & cover to slab

→ Available in 22 Standard Colorbond® colours

→ See specs page 13

STANDARD FITTINGS



1 Pump pre-installed with rain/mains changeover



2 Flexible hoses for quick connection



3 Leaf & mosquito proof mesh screen



4 2 x Large 90mm overflows (1 each end) + 1 cap



5 2 x 25mm outlets (1 each end) + 1 plug



6 Door to conceal pump

Round Tanks

Self-supporting roofs - stylish design



* PCR Range

* RWT Range

Small 200 - 7,000ltr



Large 9,000 - 50,000ltr



→ Available in 22 Colorbond® colours

→ See specs page 14-15



Mosquito proof leaf screen



Moulded lugs for easy lifting and tie-down points



90mm Overflow fitting



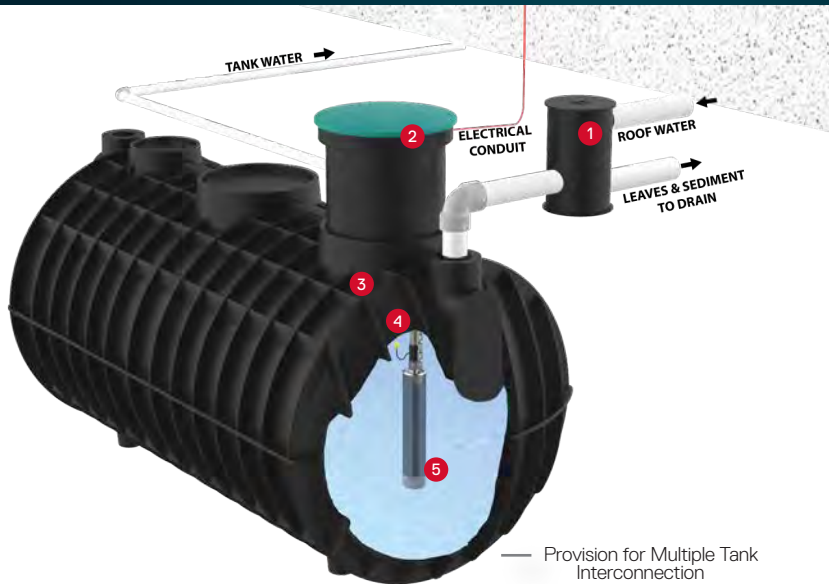
Solid Brass Threaded Outlet & Ball Valve

Large Tanks - 40mm
Small Tanks - 25mm

Underground Water Tanks



Packages include vortex filter + pump



- 1 Vortex filter
- 2 Tank lid riser (cut to height)
- 3 3300ltr or 5000ltr underground tank
- 4 Internal pipe work supplied
- 5 Submersible pump with 10 mtr cable

→ See specs page 13



- Minimal excavation depth
- One-piece tank (pre-assembled)
- Extremely tough (engineered for high traffic areas)
- Self-anchoring - no concrete required
- Dual pump option available
- Multi tank connections point

Retention & Detention Tanks

Comply with council regulations

WHAT ARE RETENTION - DETENTION TANKS?

Retention and Detention tanks are often prescribed by councils and government bodies to control the release of water into the stormwater system.

By installing a Polymaster Retention or Detention tank in sub-divisions and urban areas, you can both protect the drainage system and comply with local council regulations.

CONTROLLED RELEASE OUTLETS

Polymaster offer a wide range of specialised outlets for this purpose. See available options online at polymaster.com.au

AVAILABLE ON ALL POLYMASTER TANKS



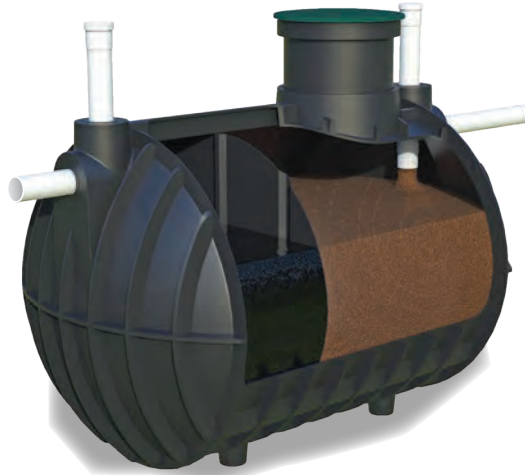
Septic Tanks

DESIGN LIFE OF 15 YEARS

Approved VIC, SA & NSW



BSI Certified Product
AS/NZS
1546.1:2008
BMP 650823
Australian/New
Zealand Standards



Inlet and outlet fittings come pre-assembled for a 10 minute hook-up



500mm extension available (URRM)



Heavy duty lid tested to 500kg loading

HOOK UP IN ONLY 10 MINUTES!

- Fittings and baffle are pre-installed
- Australian manufactured, offering you maximum support and service
- Self-anchoring, does not require concrete
- Low profile design - minimal excavation depth
- See specs page 13



Compare the Difference

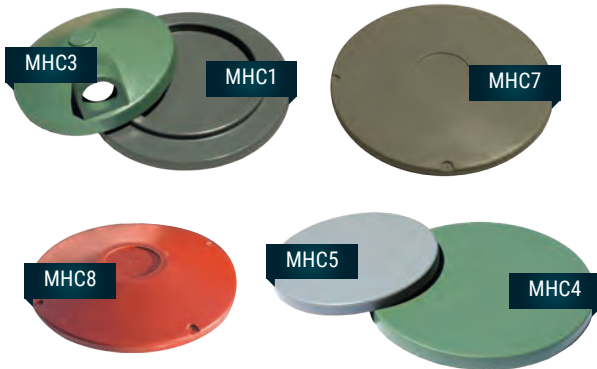
SEPTIC TANK FEATURES		VS		VS	
	POLYMASTER		OTHER POLY		CONCRETE
Pre-assembled fittings and baffle	✓		✗		✓
10 minute hook-up time	✓		✗		✗
Lightweight	✓		✓		✗
Transport to site on a standard ute with drop sides and lift into position with a small excavator	✓		✓		✗
Only small installation machinery required. Suits limited access sites	✓		✓		✗
No expensive crane required	✓		✓		✗
Extremely tough and durable design, can withstand knocks and bumps during installation	✓		✗		✗
Small diameter riser = much easier to fit	✓		✗		✗
500kg load-rated manhole cover with tamper-proof bolts. Easy to seal against water ingress	✓		✗		✗
Unique design, self-anchored - no concrete required	✓		✗		✓
Low profile tanks = easier to install in rocky & higher water table conditions	✓		✗		✗

Tank Accessories & Pumps

Polymaster offers a full range of tank accessories and pumps for all applications.

Protection / Inspection Covers

An inspection cover is available as an option for every size tank.



CODE	DESCRIPTION
MHC1	Suits 600mm inspection opening (13,600 to 31,700L corrugated tanks)
MHC3	Suits all 400mm openings, Inlet pipe entry point
MHC4	Suits 400mm opening (RWT9000, RWT7100, RWT5000, RWT4500 & RWT2270LP only)
MHC5	Suits 300mm inspection opening
MHC6	Suits all 200mm openings
MHC8	Suits PCST1050, PCST2000, PCST3000 & PCST5000 tanks
MHC9	Suits PCST600 tanks only
MHCA	Suits PCR large tanks and RWT50KL tanks

Vortex Water Filters

- for Polymaster Underground Tanks

Fitted to a horizontal drain pipe, it filters and diverts the rainwater to a storage tank.



→ Self Cleaning - captures more than 90% of water while cleaning your filter as well



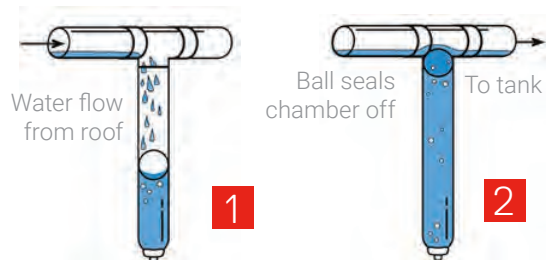
CODE	DESCRIPTION
URVF01	Vortex filter - for roof areas up to 200sq metres
URVF15	Vortex filter - for roof areas up to 500sq metres
URVF30	Vortex filter - for roof areas up to 3000sq metres

Water Diverter



How It Works

1. First flush of contaminated water is diverted into chamber
2. Once chamber is full fresh water flows to tank



Water Level Indicators



→ Levetator → Liquidator → Dipstik

Clock Level Gauge

- Rainwater tanks only
- UV - resistant material
- Adjustable tank height up to 270cm
- Flange mounting and 1½" BSP connection
- Approved for drinking water applications
- Precision mechanism



Leaf Guards



- Swivel outlet fits under gutter to prevent leaves from entering downpipe.
- UV resistant material
- Leaves blow off when dry
- Stainless steel internal screen
- Outlet can be Horizontal or Vertical

CODE	DESCRIPTION
LT01	Levetator - shows the actual water level. Aluminium, Stainless Steel and treated cord
LQ01	Liquidator - Ideal for chemical and liquid fertiliser tanks, only float in contact with liquid. (Pole not included)
DPK1	Dipstik - protrudes above roof / 360° all round visibility
CLG	Clock level gauge
LGSO	Leaf guard - swivel outlet
LWD	Leaf eater water diverter

Pumps and Pump Covers



→ A large range of quality pumps available for all tank needs

→ Pump covers available in 22 colours to house and protect pumps

→ Manufacturer's warranty on pumps



CODE	DESCRIPTION
HHR370PC	Submersible pump & press control 370W
HHR370S-PC	Submersible pump & water switch 370W
MHR20-370	Hyjet 370watt pump for single storey dwellings up to 55lpm with main changeover
MHR20-550	Hyjet 550watt pump for multi storey dwellings up to 70lpm with main changeover
PC01	Pump cover 700L x 450W x 560H mm
DHJ600P	Hyjet garden pump 600watt up to 45lpm
PH400	HHR400 Hyjet 370watt pump & changeover device + pump cover (PC01)
PH550	HHR550 Hyjet 550watt pump & changeover device + pump cover (PC01)

Large Range of Tank Colours

At Polymaster we process our own resin and have developed a beautiful and comprehensive colour range of rainwater tanks. That's why we're the experts in Poly.



THE STANDARD RANGE

With so many choices of Colorbond® matched hues, we've made it easy to perfectly blend your new tank with your home.

Our Standard Range takes the guesswork out of matching your tank colour with your exterior walls, guttering or roofing. No wonder this range is an Australian favourite.



Contact us to discuss your colour project on
1800 062 064

Colours are shown for illustrative purposes only and may vary. Polymaster will not be held liable for incorrect colour impressions, request your Polymaster colour sample to view colours.

*Colorbond® and colour names are registered trademarks of Blue Scope Steel Ltd.™ Polymaster tank colours represented match Colorbond® steel colours.

As we process our own resin we are able to offer a vast range of custom colours, available at an additional cost.

Delivery & Installation

Polymaster's large tanks can be delivered direct to property where there is a properly made road and large turning area available.

It is the owner's responsibility to provide clear access to site, and to secure tank/s left at site. If the driver cannot reach the location, the tank/s will be left at the closest practical position at the driver's discretion. If a tank cannot be left at site, the owner will incur a redelivery charge.

We endeavour to get the tank as close as possible to the pad, however it is ultimately the purchaser's responsibility to position it perfectly

ANY DELIVERY CAN BE ARRANGED, CALL US.

Free delivery to site:

13,000ltr / 22,500ltr / 31,700ltr & 50,000ltr
(remote areas excl.)

Free to store:

All other tanks (most areas)

INSTALLATION GUIDE

Entry to tank is not required when installing a Polymaster tank!

- The tank site must be firm, level and flat.
- A well compacted sand base or other consolidated fill such as crushed dust is recommended. This fill must be free of any rocks, stones or any sharp objects. The base must be 75mm – 100mm deep and at least 600mm larger in diameter than the tank base. The outside of the base must be supported by a retaining wall to prevent erosion.
- The overflow must be piped well clear of the tank to avoid any undermining of the tank base.
- Ensure that a flexible hose of at least 300 mm (12") is installed after the tank valve to absorb any shocks or movement.

DELIVERY REQUIREMENTS

Clearance required for truck and trailer is 19 metres long, 5 metres high, 3.5 metres wide.

- In accordance with OH&S requirements, the customer is not able to manually assist the driver with unloading. Please ensure there is a large space on flat gravel to unload the tank. Positioning the tank onto the pad is the responsibility of the customer.
- **To unload the following tanks, appropriate lifting equipment such as a crane or forklift must be on site:**
 - Underground Tanks
 - Septic Tanks
 - Fertiliser Tanks
 - Slimline 5,000ltr

FREIGHT DETAILS

- Polymaster offers free delivery to site throughout most of Victoria, South Australia and parts of Southern NSW for tanks exceeding 13,000ltrs (remote area excluded).
- Slimline tanks are delivered free to store & free to selected areas. Please contact us for more details.

TANK INSTALLATION

1. Inlet strainer.
2. Pipe overflow away from tank base.
3. Brass Outlet
4. Use 300 mm flexible hose from outlet.
5. Tank base to be concrete pad or sand.



→ A full installation guide will be provided upon delivery of tank.

Note: Failure to properly install tank as per instructions will void warranty. Never enter a tank alone. Have an attendant stand by. Restricted Space - only enter after carrying out a Hazard Identification Risk Assessment (H.I.R.A.).

Slimline Tanks

CODE	LITRES	DIMENSIONS (mm)	OVERFLOW POSITION	OUTLET POSITION	STRAINER POSITION
PCST600	600	1220L x 580W x 1265H	12:00 Std /6:00 Alt	6:00 Std /12:00 Alt	6:00 Std /12:00 Alt
PCST1050	1050	1460L x 690W x 1515H	12:00 Std /6:00 Alt	6:00 Std /12:00 Alt	6:00 Std /12:00 Alt
PCST2000	2000	2370L x 600W x 2010H	12:00 Std /6:00 Alt	6:00 Std /12:00 Alt	6:00 Std /12:00 Alt
PCST3000	3000	2570L x 790W x 2050H	12:00 Std /6:00 Alt	6:00 Std /12:00 Alt	6:00 Std /12:00 Alt
PCST5000	5000	3290L x 1020W x 2010H	12:00 Std /6:00 Alt	6:00 Std /12:00 Alt	6:00 Std /12:00 Alt

WITH OPTION 1 - SUBMERSIBLE PUMP

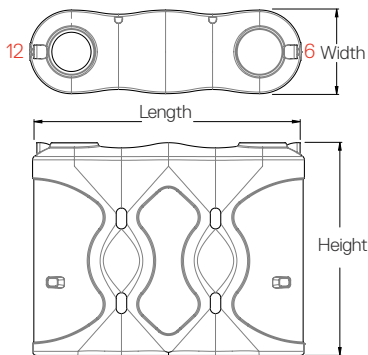
CODE	DESCRIPTION
PCST1050AP	1050 ltr Tank + Submersible Pump
PCST2000AP	2000 ltr Tank + Submersible Pump
PCST3000AP	3000 ltr Tank + Submersible Pump
PCST5000AP	5000 ltr Tank + Submersible Pump

WITH OPTION 3 - GARDEN PUMP

CODE	DESCRIPTION
PCST1050GPS	1050 ltr Tank + Garden Pump
PCST2000GPS	2000 ltr Tank + Garden Pump
PCST3000GPS	3000 ltr Tank + Garden Pump
PCST5000GPS	5000 ltr Tank + Garden Pump

Please specify which pump system you require at time of order.

FITTING POSITIONS



STANDARD FITTINGS



1 Leaf & mosquito proof mesh screen



2 Large 90mm overflow

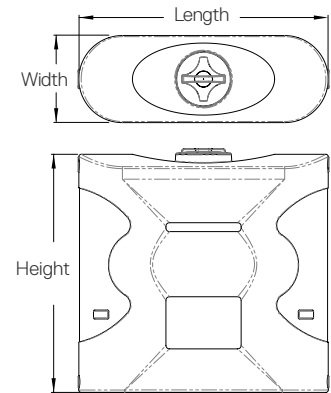


3 25mm solid brass outlet

All measurements are approximate due to variable shrinkage during manufacture. Due to pigment variations with raw material manufacturers, colour shades may vary. Polymaster takes no responsibility for the quality of water held in a tank. *Free delivery only applies to some regions and tank sizes.

Tank & Pump Package - 2020L

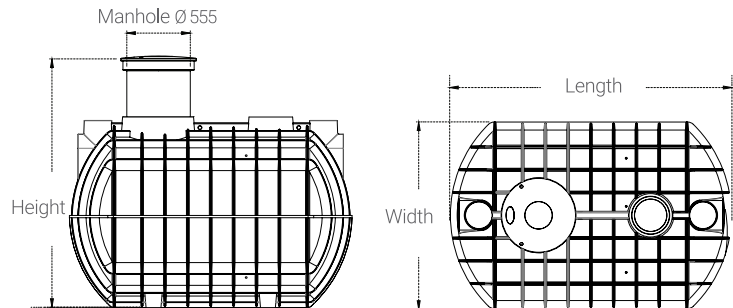
CODE	TANK DESCRIPTION	DIMENSIONS (mm)	PUMP WITH RAIN/MAINS CHANGEOVER DEVICE
BSLT2020H4	2020L Tank & Pump	2105L x 735W x 2010H	MHR20-370 - Hyjet 370 watt pump for single storey dwellings
BSLT2020H5	2020L Tank & Pump	2105L x 735W x 2010H	MHR20-550 - Hyjet 550 watt pump for double storey dwellings



Pump installed with rain/mains changeover (sits behind door)

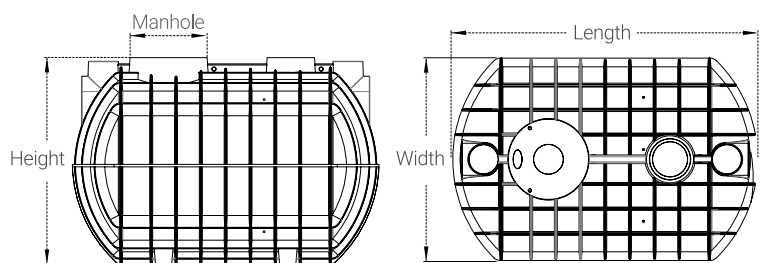
Underground Tanks

CODE	CAPACITY	DIMENSIONS (mm)
URT3300B	3,300 Ltr	2450L x 1640W x 1665H
URT5000B	5,000 Ltr	3520L x 1640W x 1665H

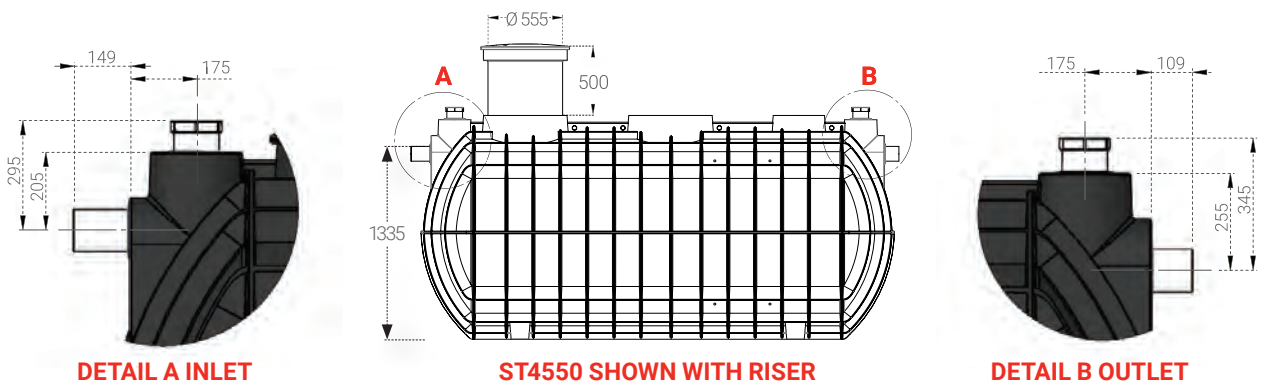


Septic Tanks

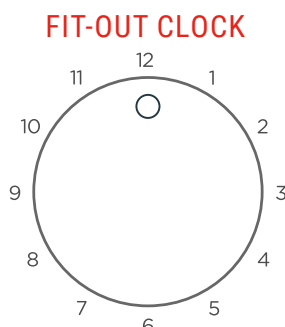
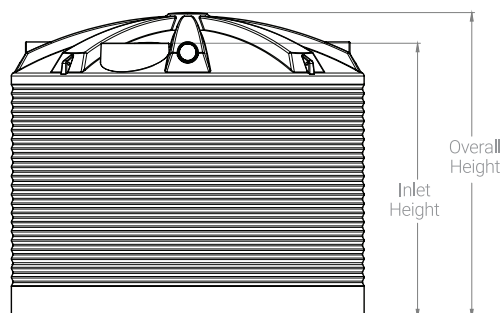
CODE	CAPACITY	DIMENSIONS (mm)
ST3100	3,100 Ltr	2450L x 1640W x 1665H
ST4550	4,550 Ltr	3520L x 1640W x 1665H
URRM	Optional riser extension 555W x 500H	
STLIDHGR	Lid to suit septic tank	



*ST3100 Shown without optional riser



Round Rainwater Tanks



TANK ROOF DIAGRAM FOR FITTING POSITIONS

Please see table and diagram to choose your preferred overflow and outlet positions. Brass outlets can be placed anywhere on flat skirt of tank.

* Refer to table for strainer, overflow & outlet positions available for each tank size below

Small Tanks 200 - 7,000ltr

RWT - RAINWATER TANKS (CORRUGATED)

CODE	LITRES	DIAMETER	INLET HEIGHT	OVERALL HEIGHT	STRAINER (POSITION, SIZE)	OVERFLOW (ALTERNATIVE)	OUTLET (Std) (POSITION, SIZE)
RWT200	200	600 mm	900 mm	900 mm	Centre, 200 mm	12	6, 25 mm
RWT600	600	1000 mm	950 mm	950 mm	Centre, 200 mm	12	6, 25 mm
RWT1000	1000	1000 mm	1500 mm	1500 mm	Centre, 200 mm	12	6, 25 mm
RWT1600	1600	1250 mm	1500 mm	1610 mm	12, 300 mm	4 / 11	6, 25 mm
RWT2270T	2270Tall	1300 mm	1920 mm	2000 mm	12, 300 mm	5 / 11	6, 25 mm
RWT2270LP	2270Low Profile	1700 mm	1200 mm	1310 mm	12, 400 mm	4 / 11	6, 25 mm
RWT3300	3300	1520 mm	2000 mm	2100 mm	12, 300 mm	4 / 11	6, 25 mm
RWT4500T	4500Tall	1700 mm	2100 mm	2200 mm	12, 400 mm	4 / 11	6, 25 mm
RWT4500LP	4500Low Profile	2150 mm	1380 mm	1580 mm	12, 400 mm	3 / 7 / 11	6, 25 mm
RWT5000	5000	1950 mm	1960 mm	2170 mm	12, 400 mm	3 / 7 / 11	6, 25 mm
RWT7100	7100	2150 mm	2120 mm	2300 mm	12, 400 mm	3 / 7 / 11	6, 40 mm

PCR - RAINWATER TANKS (SMOOTH WALL)

CODE	LITRES	DIAMETER	INLET HEIGHT	OVERALL HEIGHT	STRAINER (POSITION, SIZE)	OVERFLOW (ALTERNATIVE)	OUTLET (Std) (POSITION, SIZE)
PCR2000	2000	1175 mm	2185 mm	2255 mm	12, 300 mm	1.30 / 4.30 / 7.30 / 10.30	6, 25 mm
PCR4000	4000	1600 mm	2150 mm	2200 mm	12, 400 mm	1.30 / 4.30 / 7.30 / 10.30	6, 25 mm
PCR5000	5000	1800 mm	2120 mm	2200 mm	12, 400 mm	1.30 / 4.30 / 7.30 / 10.30	6, 25 mm
PCR7000	7000	2200 mm	2020 mm	2200 mm	12, 400 mm	1.30 / 4.30 / 7.30 / 10.30	6, 25 mm

Large Tanks 9,000 - 50,000ltr

RWT - RAINWATER TANKS (CORRUGATED & SMOOTH WALL)

CODE	LITRES	DIAMETER	INLET HEIGHT	OVERALL HEIGHT	STRAINER (POSITION, SIZE)	OVERFLOW (ALTERNATIVE)	OUTLET (Std) (POSITION, SIZE)
RWT9000	9,000	2500 mm	2050 mm	2260 mm	12, 400 mm	2.30 / 5.30 / 8.30 / 11.30	6, 40 mm
RWT13600	13,600	3100 mm	2100 mm	2450 mm	12, 400 mm	2 / 5 / 8 / 11 /	4, 40 mm
RWT22500	22,500	3560 mm	2470 mm	2800 mm	12, 400 mm	2.30 / 5.30 / 8.30 / 11.30	4, 40 mm
RWT31700	31,700	4100 mm	2610 mm	3040 mm	12, 400 mm	2.30 / 5.30 / 8.30 / 11.30	4, 40 mm
*RWT50KL	50,000	4600 mm	3290 mm	3440 mm	12/6, 500 mm	2 / 4 / 6 / 8 / 10 / 12	4, 40 mm

*Smooth Wall

PCR - RAINWATER TANKS (SMOOTH WALL)

CODE	LITRES	DIAMETER	INLET HEIGHT	OVERALL HEIGHT	STRAINER (POSITION, SIZE)	OVERFLOW (ALTERNATIVE)	OUTLET (Std) (POSITION, SIZE)
PCR10000	10,000	2480 mm	2170 mm	2350 mm	12, 400 mm	1.30 / 4.30 / 7.30 / 10.30	6, 40 mm
PCR13500	13,500	2830 mm	2470 mm	2630 mm	12, 400 mm	1.30 / 4.30 / 7.30 / 10.30	6, 40 mm
PCR22500	22,500	3573 mm	2559 mm	2879 mm	12, 500 mm	1.30 / 4.30 / 7.30 / 10.30	6, 40 mm
PCR27000	27,000	3573 mm	3019 mm	3339 mm	12, 500 mm	1.30 / 4.30 / 7.30 / 10.30	6, 40 mm

Polymaster

CREATE YOUR PERFECT MATCH

BUILD YOUR OWN TANK

Customise your water tank to suit your style and needs with our easy to use 3D Tank Builder.

Rotate your tank to see it from any angle, position your fittings, change the colours, and add on accessories.

See your selections change in real time.



Imagine taking control and building your own personal water tank!

Well... we're putting you in the driver's seat, so you control the build of your next tank. We have made it easy for you with our innovative and intuitive 3D modelling software. You can now quickly get 'up close & personal' with your tank online. Through our specialised software, you can now see your tank, look at it from every angle,

change its colours, position all your fittings and even add-on critical accessories that will keep your water fresh and clean.

And, when you've created your masterpiece you can download the exact specifications of your tank including a colour image of it and its cost. How cool is that? It's so easy!



It's online, and it's FREE at polymaster.com.au



SPECIFICATIONS

Due to the variable shrinkage rate of polyethylene, the product dimensions and capacities listed in this catalogue are approximate. Naturally occurring pigment variations in raw materials may also cause some variability in colour shades. While we attempt to come as close to the advertised shades as possible, we are unable to guarantee exact tank colour matches. Due to ongoing improvement and innovation, product details, design and specifications are subject to change without notice.

EASY RETURNS

If you are not completely satisfied with your Polymaster purchase, simply return the product for credit within 14 days of receipt.

All returns are subject to a 15% restocking fee and freight charges

COPYRIGHT®

This publication and all information is the property of Polymaster Pty Ltd. No content contained in this publication is to be duplicated or copied in any way or manner.

PRODUCT SUITABILITY

The product recommendations used in this catalogue are intended only as a guide. While we make every effort to accurately represent the suitability of our products for a variety of uses, your situation may be unique and require additional investigation. Polymaster holds the right to change equipment and accessories in line with ongoing developments and product supply.

SUSTAINABILITY

At Polymaster, special re-circulated heat processes are used to minimize greenhouse gases, excess materials are fully recycled, and water re-use programs help lessen our impact on Australia's precious natural resources.



SCAN QR TO BROWSE OR VISIT
[POLYMASTER.COM.AU](https://www.polymaster.com.au)

* E & OE

Together we hold the future.

YOUR LOCAL DISTRIBUTOR

→ 1800 062 064
→ [polymaster.com.au](https://www.polymaster.com.au)

Follow us    

Published 2022 - Version 1.0